

Accessories

► BEARING BOX



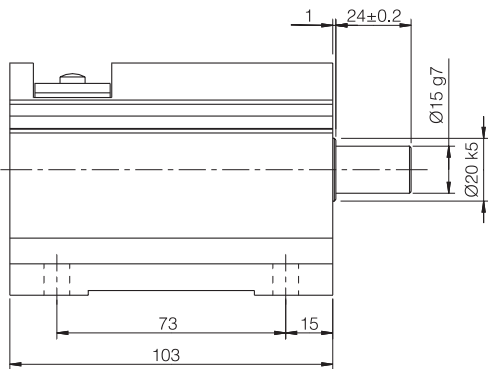
01209010

597825-01

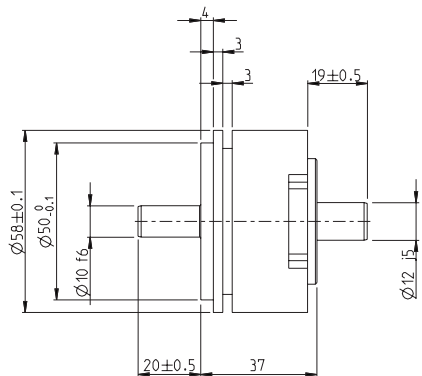
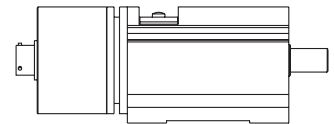
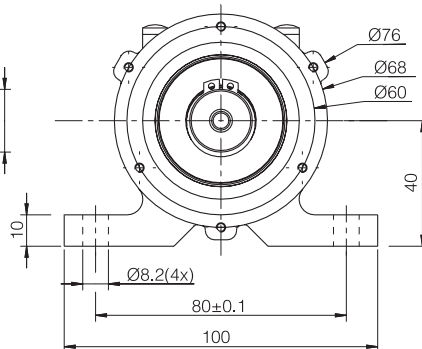
SPECIFICATION

Part. No.	01209010	01209029
Shaft size	Ø15mm	Ø10mm
Shaft load max		
Radial	250 N	
Axial	150 N	
Speed max	4000 rpm	
Protection class	IP 64 according to IEC 60529	
Material		
Shaft	Stainless steel	
Housing	Aluminum, anodized	
Encoder shaft size	Ø6mm	
Encoder types	Fits all shaft encoders with -51, -52 or -63 flange. For model 525 use adapter 01209033.	

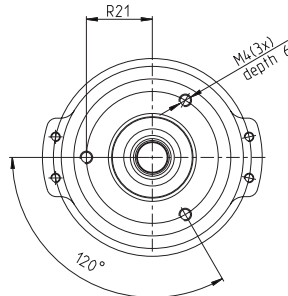
Part. No.	597825-01
Shaft size	Ø10mm
Shaft load max	
Radial	200 N
Axial	200 N
Speed max	4000 rpm
Protection class	IP 64 according to IEC 60529
Material	
Shaft	Stainless steel
Housing	Aluminum, anodized
Encoder shaft size	Ø12mm
Encoder types	Fits all 12mm hollow-shaft encoders with stator coupling



Part no. 01209010



Part no. 597825-01



Accessories



► MOUNTING KIT FOR BEARING BOX



SPECIFICATION

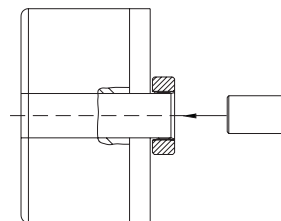
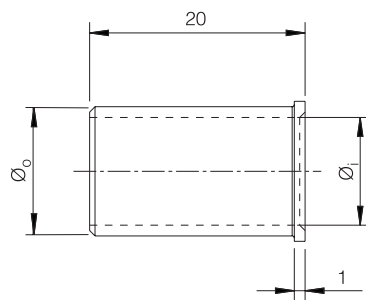
Mounting kit	For bearing box 01209010/01209029
Contains	Shaft coupling, 464 19, 6-6mm Suitable O-ring 3 Mounting clamps with screws
For encoder	
with -51 flange	Part. No. 00203001
with -63 flange	Part. No. 00203002
with -52 flange	Part. No. 00203003

► INSULATED HOLLOW SHAFT ADAPTER



SPECIFICATION

Part. No.	01209140	01209141
Adaptor inner diameter (ϕ_i)	$\phi 10\text{mm G7}$	$\phi 12\text{mm G7}$
Adaptor outer diameter (ϕ_o)	$\phi 12\text{mm}$	$\phi 14\text{mm}$
Material	PEEK	
Load max		
Radial	20N	
Axial	10N	
Speed max	6000rpm	
Temperature		
Operating	-40°C ... +100°C	
Storage	-40°C ... +100°C	
Electrical insulation	< 500VAC	
Encoder shaft size	$\phi 12\text{mm}$	$\phi 14\text{mm}$
Encoder type	Fits all hollow shaft encoders in the 500-series with shafts according to the specifications above	



Accessories



MOUNTING CLAMPS



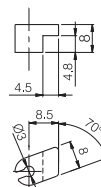
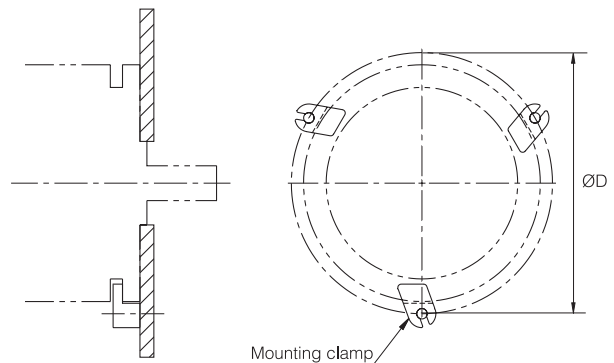
(3 x) 00203004

(3 x) 00203005

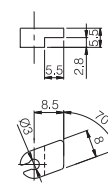
ENCODER	MOUNTING CLAMP	ØD
670, 672, 674, 684	3 x 00203005	67.5
- 51 FLANGE	3 x 00203004	67.0
- 52 FLANGE	3 x 00203004	77.0
- 63 FLANGE	3 x 00203005	67.5

SPECIFICATION

Part. No. (1 unit)	00203004	00203005
For encoder type	All encoders with -51, -52 flange	All encoders with synchro -63 flange
Material	Aluminium, anodized	
Recommended screw	M3x16	M3x12



00203004



00203005

MEASURING WHEEL



00208002

00208015

SPECIFICATION

Circumference	500 mm	200 mm
Part. No.		
Burled rubber surface	00208014	00208015
PU-surface	00208002	00208010
Bordered PU-surface	00208030	00208029
Metal surface	00208055	
Vulcolan smooth	00208054	
Encoder shaft size	Ø10 mm	

Circumference	200 mm
Part. No.	
Burled surface	00208028
Encoder shaft size	Ø4 mm

Accessories



► MOUNTING BRACKET

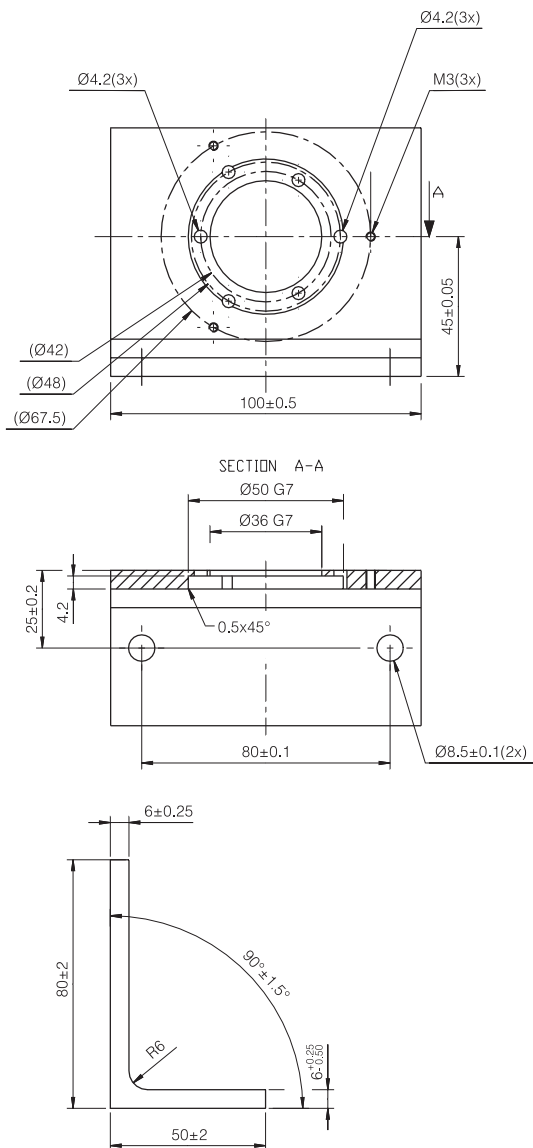


00208011

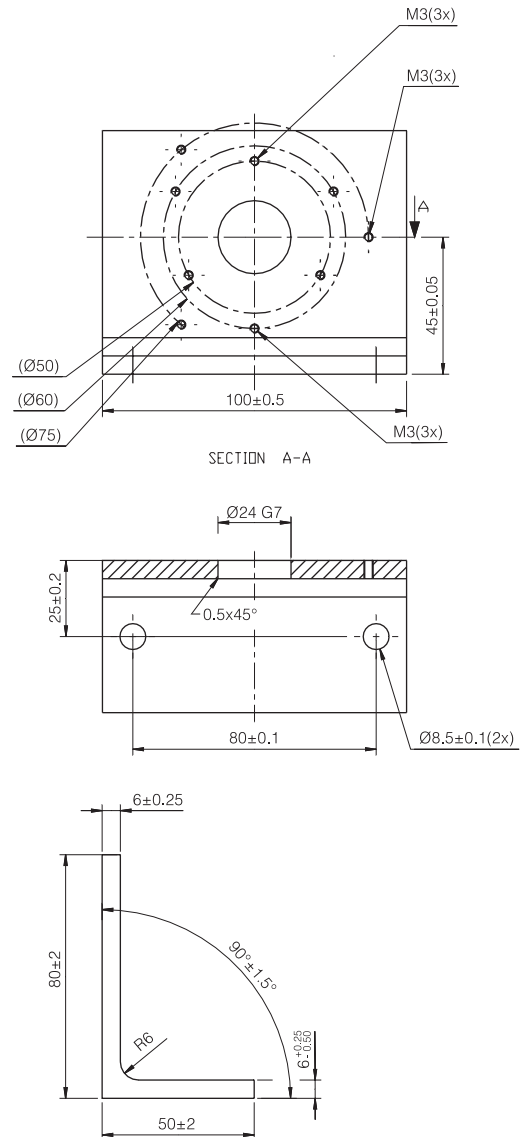
SPECIFICATION

Part. No.	00208001	00208011
For encoder type	All encoders with -51 or -52 flange	All encoders with -61 or -63 flange
Material	Aluminium, anodized	

Part no. 00208011

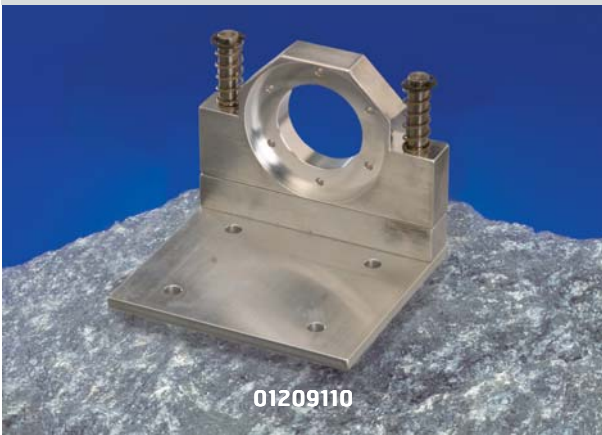


Part no. 00208001





► **SPRINGLOADED BRACKET**

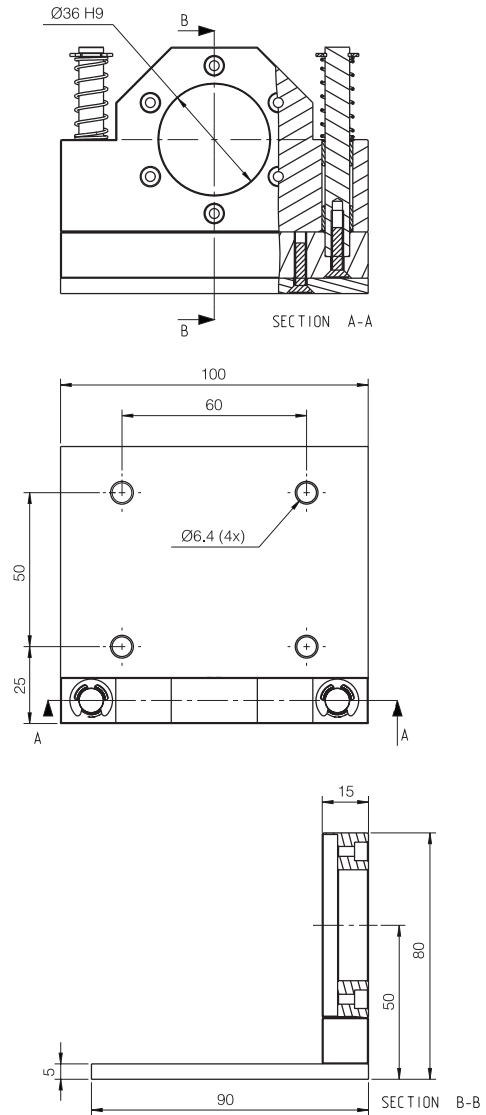


01209110

SPECIFICATION

Part. No.	01209110	01209153
For encoder type	All encoders with -61 flange	All encoders with -63 flange
Material	Aluminium, anodized	

Part no. 01209110



Accessories

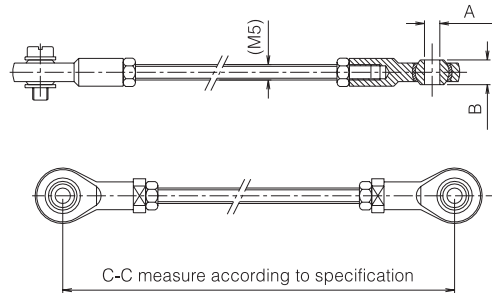


► Part no. 01208013, 01208014



SPECIFICATION

Part. No.	01208013	01208014
Fastening screw	M5	M6
Length	Min 70mm, Max 1000mm	
Measurements A / B [mm]	Ø5,0 / 8,0	Ø6,0 / 9,0

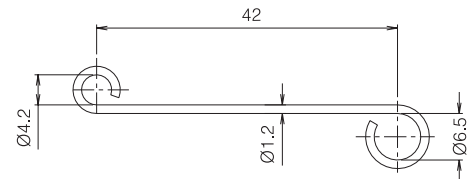


► Part no. 01209032

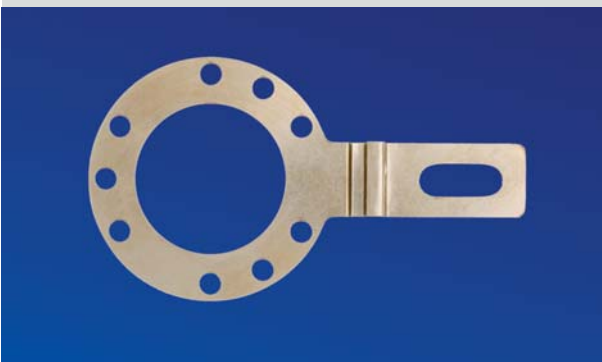


SPECIFICATION

Part. No.	01209032
Fastening screw	M4 - M6
Length	42 mm
Encoder types	Fits all encoders with -56 or -57 flange

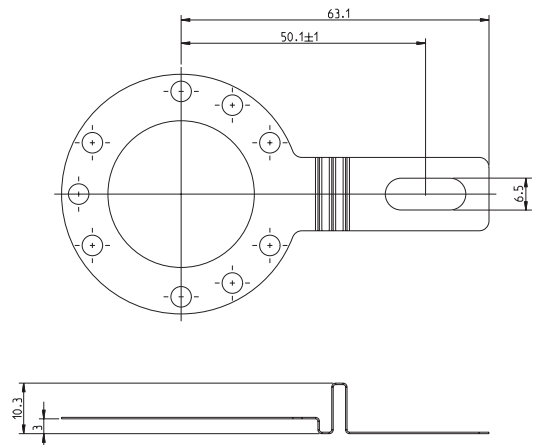


► Part no. 531441-01



SPECIFICATION

Part. No.	531441-01
Fastening screw	M4
Encoder types	Fits all encoders with -58, -59, or -63 flange



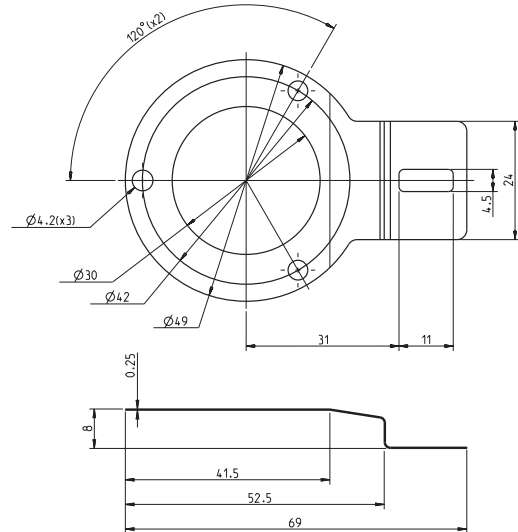
Accessories

► Part no. 534177-01



SPECIFICATION

Part. No.	534177-01
Fastening screw	M4
Encoder types	Fits all encoders with -58, -59, or -63 flange

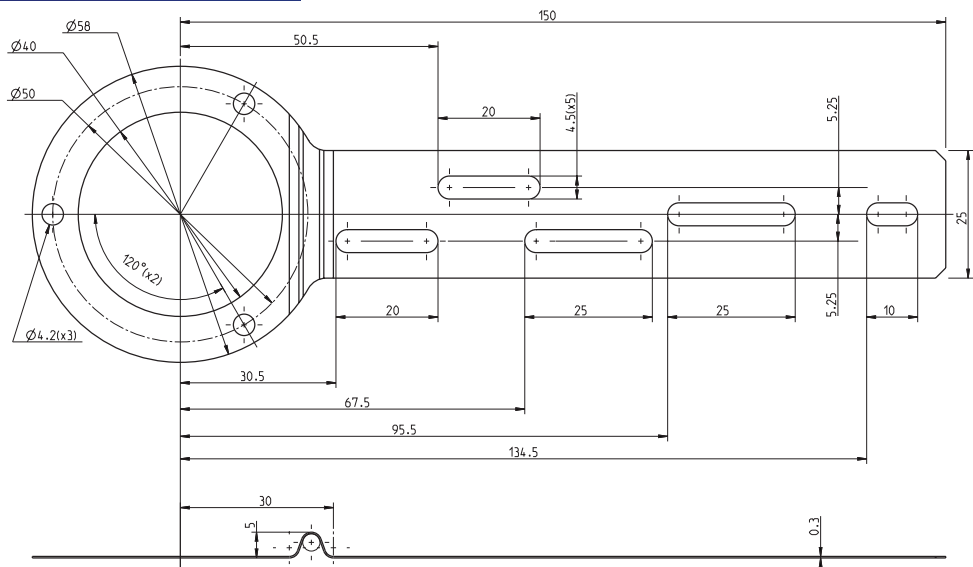


► Part no. 534184-01



SPECIFICATION

Part. No.	534184-01
Fastening screw	M4
Encoder types	Fits all encoders with -51, -56 or -57 flange



Accessories

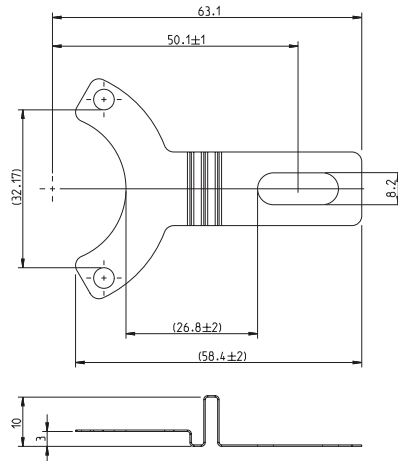


► Part no. 01209131



SPECIFICATION

Part. No.	01209131
Fastening screw	M4
Encoder types	Fits all encoders with -58, -59, or -63 flange

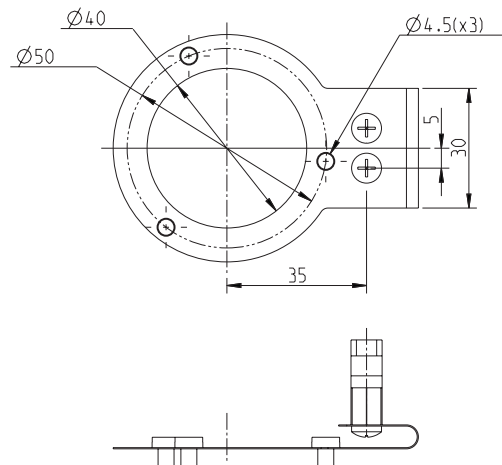


► Part no. 01209137



SPECIFICATION

Part. No.	01209137
Fastening screw	M4
Encoder types	Fits all encoders with -51, -56 or -57 flange



Accessories

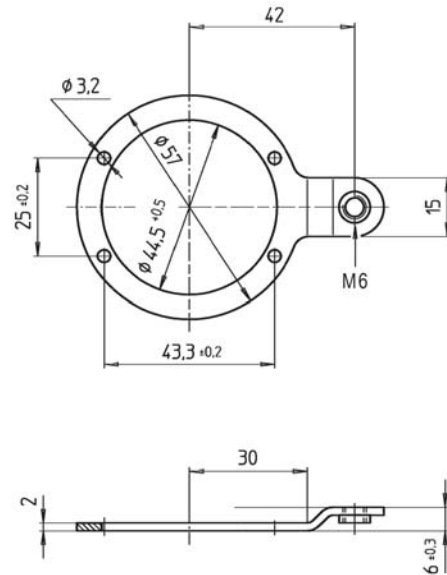


► Part no. 01209143



SPECIFICATION

Part. No.	01209143
Fastening screw	M3
Encoder types	Fits all encoders with -58, -59, or -63 flange

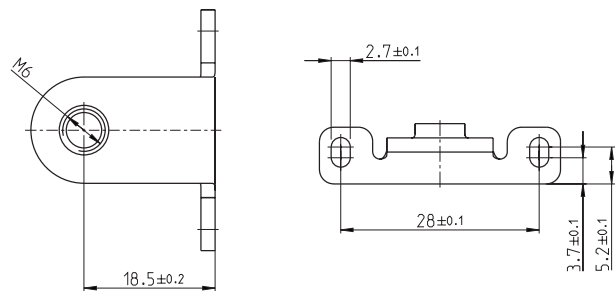


► Part no. 609451-01



SPECIFICATION

Part. No.	609451-01
Fastening screw	M2,5
Encoder types	Fits all 600-series encoders with -58 flange



Accessories



LEINE LINDE ISO 9001 / ISO 14001 certified

Olivehällsvägen 8, SE-64542 Strängnäs, Sweden.
Phone: +46 (0)152 26500. Fax: +46 (0)152 26505. E-mail: info@leinelinde.se

08-06-24 PS. Specifications can be changed without prior notice.

www.leinelinde.com