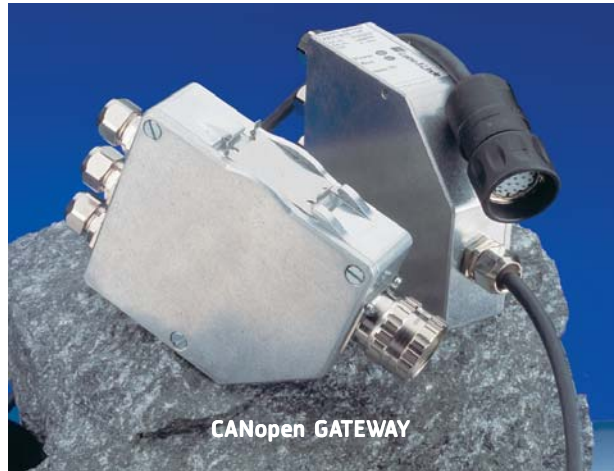


## CAN Gateway for EnDat encoders

- ▶ **CAN interface:**  
CANopen and DeviceNet
- ▶ **Gateway can be used with all EnDat encoders within the 600 series**
- ▶ **Integrated T-coupling and bus termination**



## ELECTRICAL SPECIFICATION

Supply voltage +EV	9-30V
	Polarity protected
Current consumption incl. multiturn encoder.	100mA @ 24V Max 170mA
Startup delay	600 ms
Encoder connection	EnDat
Power supply	5 Vdc ±5%
Clock frequency	500 kHz
Cable length	Max 40m
Output	CANopen Support of CAN spec. 2.0 A and B
Baudrate	10 kb/s - 1 Mb/s
Baudrate setting	
Address setting	DIP switch or CANopen object
Cable length	100m @ 500kb/s
Output	DeviceNet, Position Sensor Object Class code 23h
Baudrate	125kb/s, 250kb/s, 500kb/s
Baudrate setting	Automatic detection
Address setting	MAC id via DIP switch
Cable length	500m @ 125kb/s
Update frequency	> 2kHz
Delay	< 0,5ms

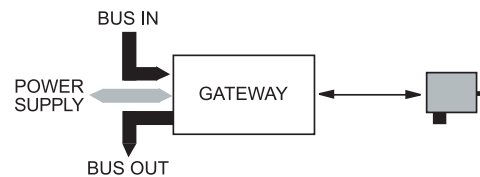
## ACCESSORIES

CANopen EDS file	Part. No. 01290014
DeviceNet EDS file	Part. No. 01290027
Cable to encoder	
2m	Part. No. 00201045
3m	Part. No. 00201057
20m	Part. No. 00201056
Free length	Part. No. 01209050
Encoders	See datasheet for EnDat encoders

## ADVANTAGES OF THE GATEWAY CONCEPT

1. The Gateway allows the use of a small and robust encoder.
2. Costeffective exchange of encoder (no need to change the Gateway).
3. Reduction of Bus-cabling (only one cable between Gateway and encoder).
4. Flexible choice of encoders as the same Gateway can be used with different encoders.
5. Advanced diagnostics integrated in the basic encoders, together with the sensing parts.
6. Allows operation of encoder in high temperature and hard environmental conditions.

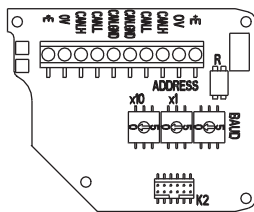
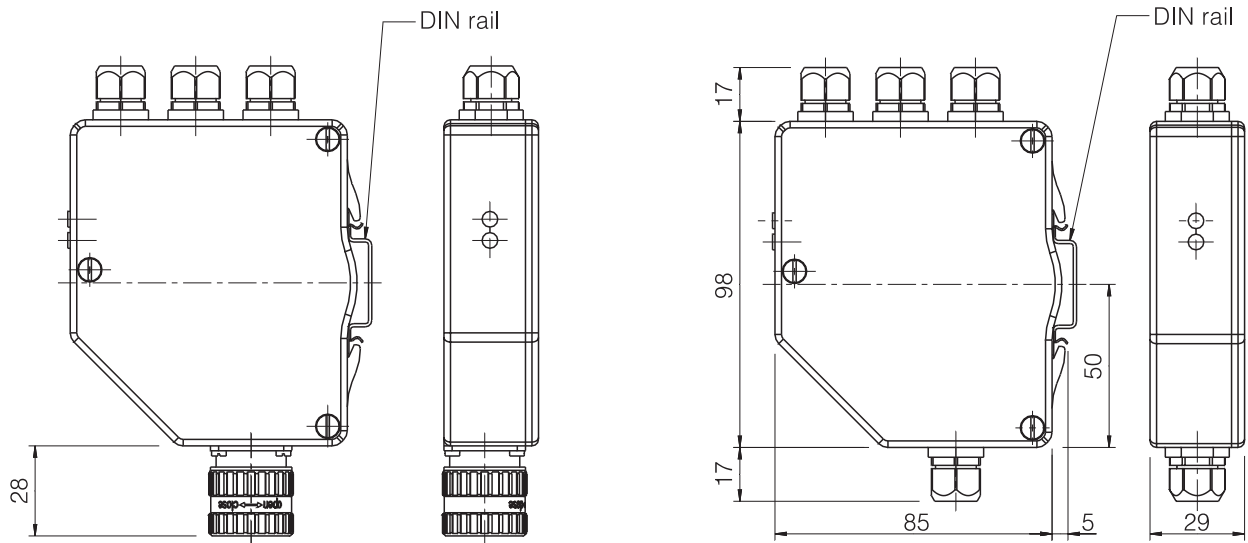
## CAN GATEWAY



## CONNECTION

EnDat	17 pin EML	CAN	Terminal
Sensor + 5 Volt	1	+E Volt	1
Sensor 0 Volt	4	0 Volt	2
+ 5 Volt	7	CAN_H	3
0 Volt	10	CAN_L	4
Clock	8	CAN_GND	5
Clock	9	CAN_GND	6
Data	14	CAN_L	7
Data	17	CAN_H	8
		0 Volt	9
		+E Volt	10

# Gateway CANopen



## MECHANICAL SPECIFICATION

Housing	Aluminium
Weight	Approx. 400g
Protection class	IP 65 according to IEC 60529
Temperature	
Operating	-30°C ... +85°C
Storage	-40°C ... +85°C
LED indication	Power and Bus
Connection	Screw terminal, integrated T coupling

## ORDERING INFORMATION

### Available models

**01300230**  
CANopen Gateway with connector

**01300235**  
CANopen Gateway with 2m cable and connector

**01300240**  
DeviceNet Gateway with connector

**01300245**  
DeviceNet Gateway with 2m cable and connector

**LEINE LINDE** ISO 9001 / ISO 14001 certified

Olivehällsvägen 8, SE-64542 Strängnäs, Sweden.  
Phone: +46 (0)152 26500. Fax: +46 (0)152 26505. E-mail: info@leinelinde.se

08-04-16 PS. Specifications can be changed without prior notice.

www.leinelinde.com