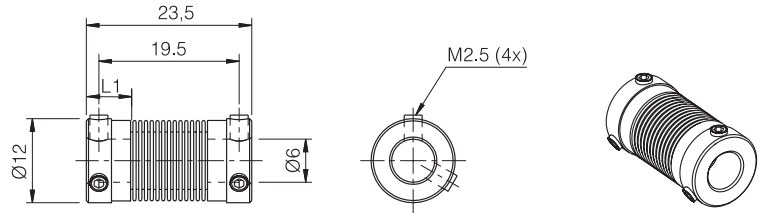


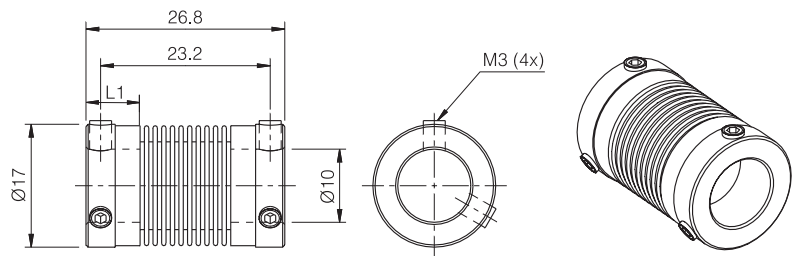
Couplings

Bellow couplings

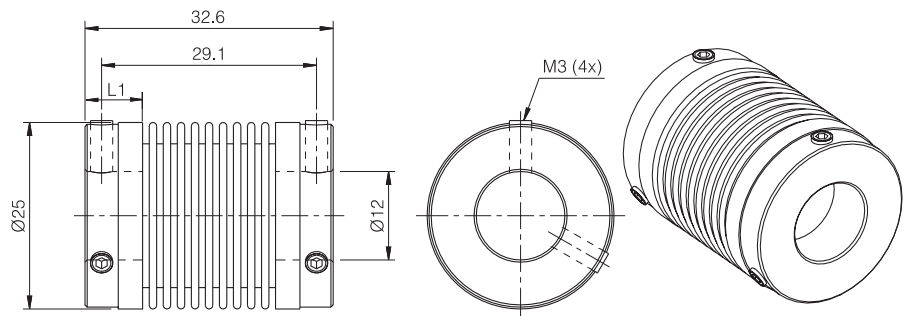
► Part no. 534024-01



► Part no. 534024-02



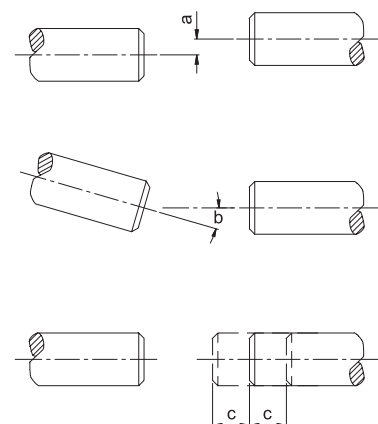
► Part no. 534024-03



MECHANICAL SPECIFICATION

Bellow couplings	534024-01	534024-02	534024-03
Article number	534024-01	534024-02	534024-03
Bore diameter [mm]	6 - 6	10 - 10	12 - 12
Type	Set screw		
Dimensions [mm]			
L Length	23,5	26,8	32,6
L1 Bore length	6	7	7
ØD Diameter	12	17	25
key size	1,3	1,5	1,5
Moment of inertia [Kgm ²]	1,85 x 10 ⁻⁷	3,62 x 10 ⁻⁷	16,1 x 10 ⁻⁷
Weight	10 g	9,5 g	19,5 g
Max misalignment			
Angular (b)	2°	1°	1°
Radial (a)	0,07 mm	0,06 mm	0,07 mm
Axial (c)	± 0,31 mm	± 0,32 mm	± 0,38 mm
Torsional rigity	28 Nm/rad	102 Nm/rad	447 Nm/rad
Peak torque	2 Ncm	7 Ncm	45 Ncm

ALIGNMENT

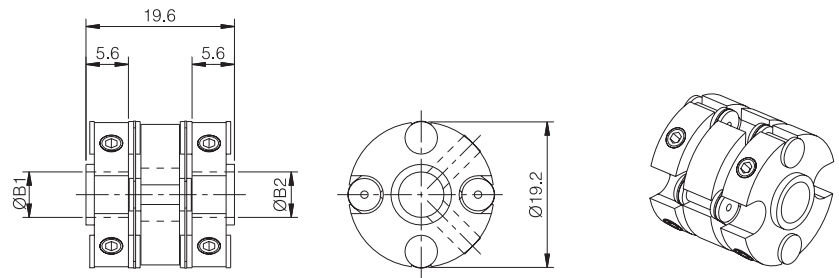


Couplings

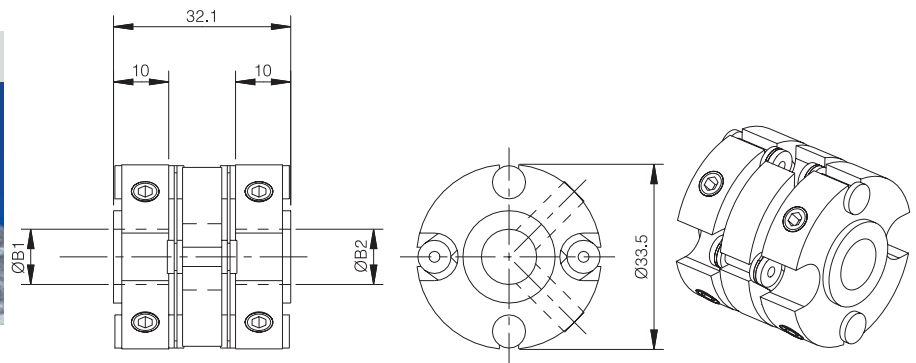


Membrane couplings

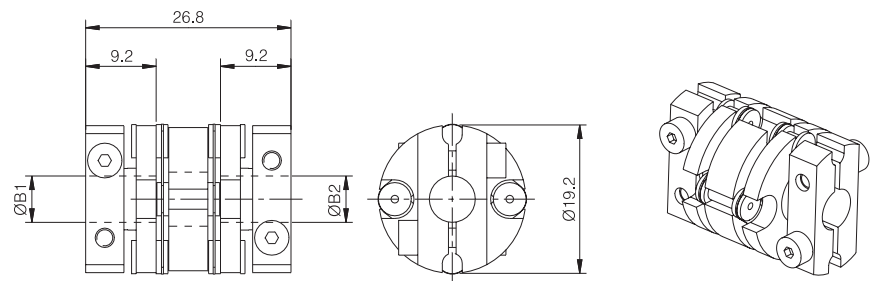
► Part no. 46419



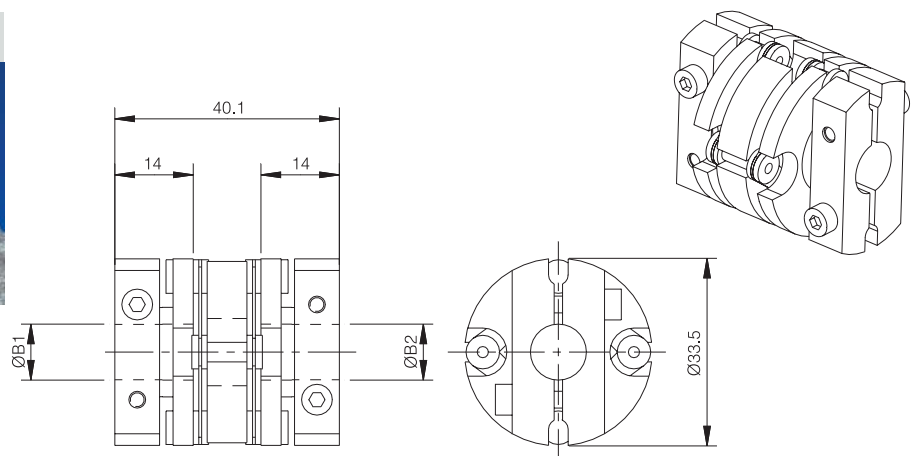
► Part no. 46433



► Part no. 46619



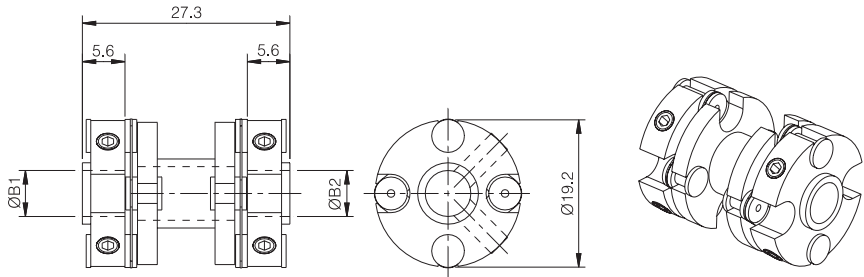
► Part no. 46633



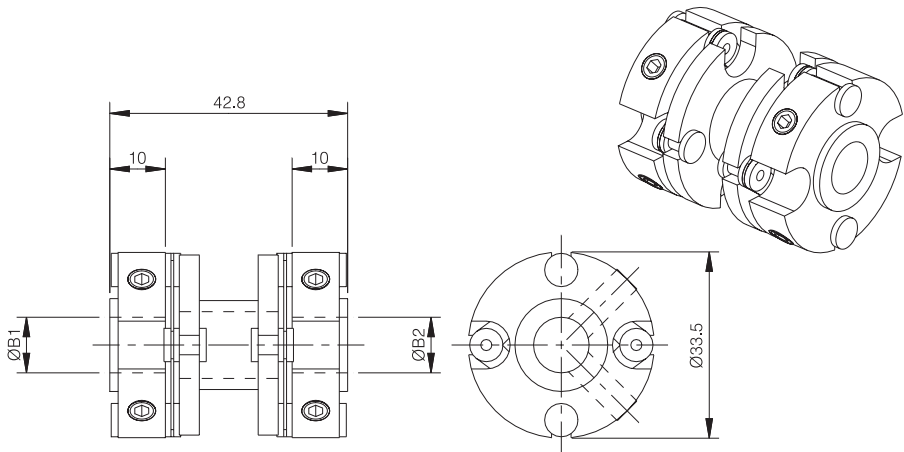
Couplings



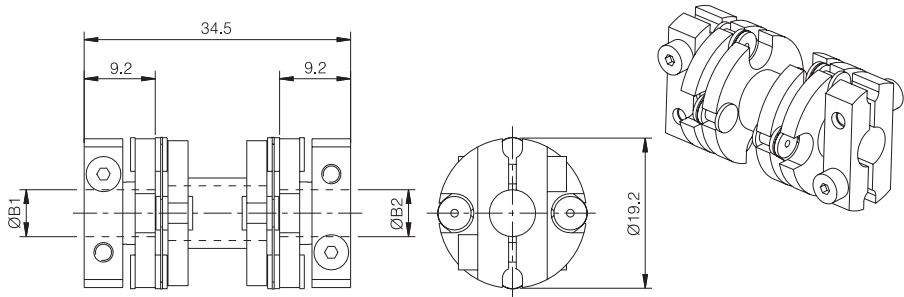
▶ Part no. 46819



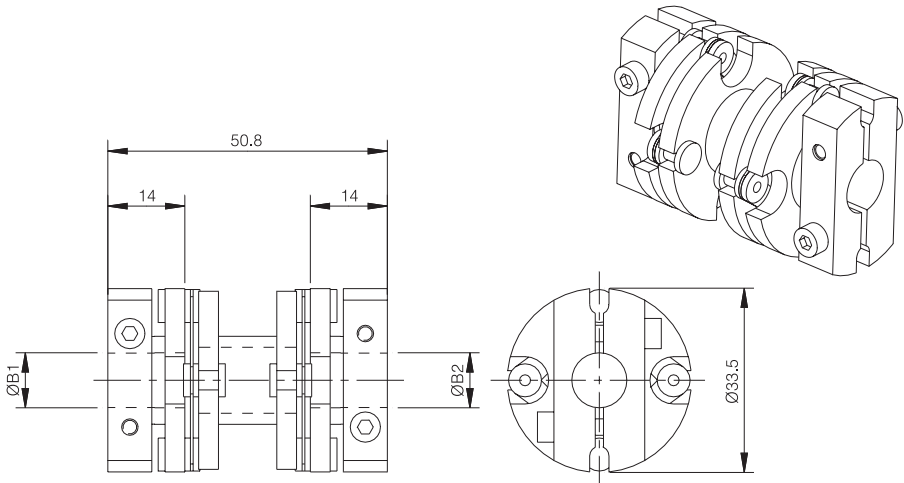
▶ Part no. 46833



▶ Part no. 47019



▶ Part no. 47033



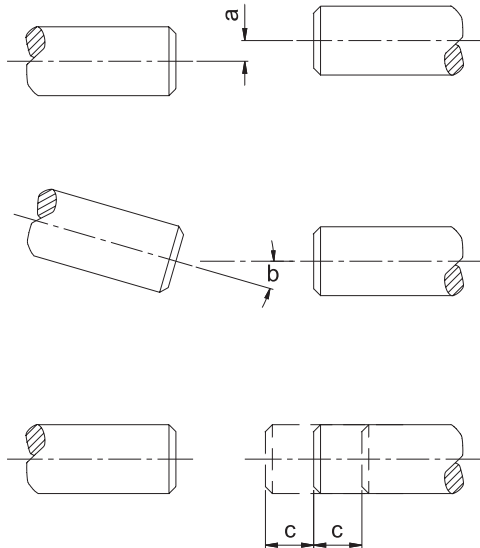
Couplings



MECHANICAL SPECIFICATION

Membrane couplings Article number:	Precisely aligned shafts				For greater radial misalignment			
	464.19 -	466.19 -	464.33 -	466.33 -	468.19 -	470.19 -	468.33 -	470.33 -
Bore diameter [mm] (Other bore diameters on request)	6 - 6	6 - 6	6 - 10 10 - 10 12 - 12	6 - 10 10 - 10 12 - 12	6 - 6	6 - 6	6 - 10 10 - 10 12 - 12	6 - 10 10 - 10 12 - 12
Type	Set screw	Clamp	Set screw	Clamp	Set screw	Clamp	Set screw	Clamp
Dimensions [mm]								
L Length	19,6	26,8	32,1	40,1	27,3	34,5	42,8	50,8
L1 Bore length	5,6	9,2	10,0	14,0	5,6	9,2	10,0	14,0
ØD Diameter	19,2	19,2	33,5	33,5	19,2	19,2	33,5	33,5
key size	1,5	2,0	2,5	2,5	1,5	2,0	2,5	2,5
Moment of inertia [Kgm ²]	5×10^{-7}	6×10^{-7}	80×10^{-7}	73×10^{-7}	6×10^{-7}	6×10^{-7}	83×10^{-7}	76×10^{-7}
Weight	10 g	13 g	52 g	51 g	12 g	14 g	55 g	55 g
Max misalignment								
Angular (b)	4°		3°		4°		3°	
Radial (a)	0,2 mm		0,2 mm		0,4 mm		0,4 mm	
Axial (c)	± 0,2 mm		± 0,2 mm		± 0,2 mm		± 0,2 mm	
Torsional rigidity	150 Nm/rad		935 Nm/rad		145 Nm/rad		980 Nm/rad	
Peak torque	0,9 Nm		5,6 Nm		0,9 Nm		5,6 Nm	

ALIGNMENT



ORDERING INFORMATION

Membrane couplings



Type

464 = Set screw, short
466 = Clamp, short
468 = Set screw, long
470 = Clamp, long

Bore

19 2222 = 6-6 mm
33 2232 = 6-10 mm
33 3232 = 10-10 mm
33 3535 = 12-12 mm

Other sizes available, contact Leine & Linde

LEINE LINDE ISO 9001 / ISO 14001 certified

Olivehällsvägen 8, SE-64542 Strängnäs, Sweden.
Phone: +46 (0)152 26500. Fax: +46 (0)152 26505. E-mail: info@leinelinde.se

07-11-27 PS. Specifications can be changed without prior notice.

www.leinelinde.com