

Draw wire

Draw wire suitable for absolute or incremental encoders

- ▶ For linear measurements up to 15 000 mm
- ▶ Simple and flexible encoder mounting
- ▶ Robust and compact sensor design



SPECIFICATIONS

Wire unit	WDS P85	WDS P115	WDS P115	WDS P115
Measuring range	2500mm	5000mm	10 000mm	15 000mm
Linearity <0,02% FSO*	±0,5mm	±1mm	±2mm	±3mm
Encoder revolutions/FSO	--	--	--	--
Distance per encoder rev.	199,8mm	315,07mm	315,07mm	315,07mm
Wire diameter	1,2mm	1,0mm	1,0mm	1,0mm
Wire retraction force	>6N	>4N	>8N	>8N
Wire extension force	<16N	<16N	<21N	<25N
Wire acceleration max	50m/s ²	50m/s ²	30m/s ²	30m/s ²
Wire velocity max	6m/s	6m/s	4m/s	4m/s
Wire mounting	Eye	Eye	Eye	Eye
Approx. weight	1000g	1400g	2500g	2700g
Max wire misalignment	± 3°			
Temperature				
Operating	-20°C ... +80°C			
Storage	-40°C ... +85°C			
Material				
Housing	Aluminium, anodized			
Wire	Coated polyamid stainless steel			
Protection class	IP 66 according to IEC 60529			
Vibration	<200m/s ² (20...2000Hz)			
Shock	<500m/s ² (10ms)			
Expected lifetime	>1 million cycles			

* FSO = Draw wire Full Scale Out

ACCESSORIES

Guide pulley, fixed	Part. No. 00208039
Guide pulley, adjustable	Part. No. 00208038

ENCODER SPECIFICATION

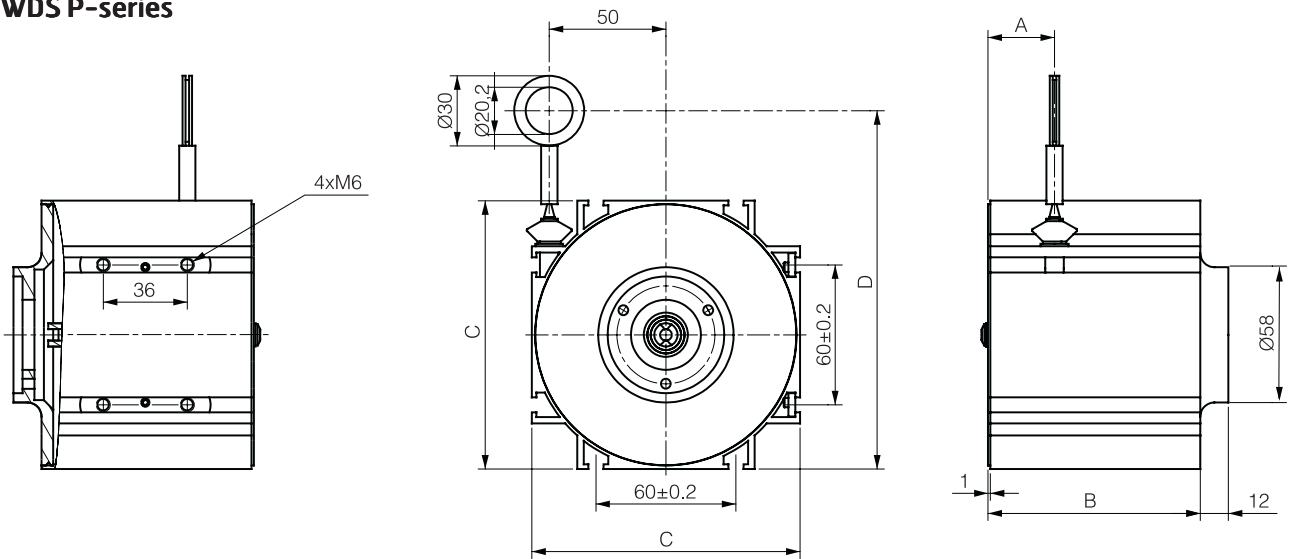
Flange type	Synchro (63)
Shaft diameter	ø6mm

Note: All encoders with this specification can be used with the draw wire units.

Draw wire



WDS P-series



Part no	MR	A	B	C	D
00208043	2500	30,5	94	85	134
00208044	5000	28,5	91	115	145
00208045	10000	44,5	155	115	145
00208052	15000	60,5	187	115	145

ORDERING INFORMATION

Available models

00208043

Ruggedized draw wire unit WDS P85, measuring range 2.5m

00208044

Ruggedized draw wire unit WDS P115, measuring range 5.0m

00208045

Ruggedized draw wire unit WDS P115, measuring range 10.0m

00208052

Ruggedized draw wire unit WDS P115, measuring range 15.0m

Please contact your local Leine & Linde representative if other measuring ranges are required.

LEINE LINDE ISO 9001 / ISO 14001 certified

Olivehällsvägen 8, SE-64542 Strängnäs, Sweden.

Phone: +46 (0)152 26500. Fax: +46 (0)152 26505. E-mail: info@leinelinde.se

07-11-28 PS. Specifications can be changed without prior notice.

www.leinelinde.com