

PROFIBUS-DP Gateway

Profibus DP Gateway for EnDat encoders

- ▶ **Functionality according to PROFIBUS DP encoder profile class 1 and 2**
- ▶ **Integrated T-coupling and bus termination**
- ▶ **Same gateway can be used with all EnDat encoders**



ELECTRICAL SPECIFICATION

Supply voltage +EV	9-30V
	Polarity protected
Current consumption incl. multiturn encoder.	140mA @ 24V Max 400mA
Startup delay	600 ms
Encoder connection	EnDat
Power supply	5 Vdc ±5%
Clock frequency	500 kHz
Cable length	Max 40m
Output	PROFIBUS DP Encoder profile Class 1 and 2
Frequency range	9,6 kb/s - 12 Mb/s
Addressing	Decimal by coding switch, 0...126
Cable length	400m @ 1,5Mb/s

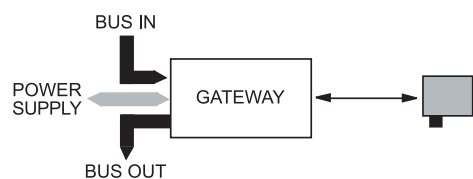
ACCESSORIES

GSD file	Part. No. 622562-01
Cable to encoder	
2m	Part. No. 00201045
3m	Part. No. 00201057
20m	Part. No. 00201056
Free length	Part. No. 01209050
Encoders	See datasheet for EnDat encoders

ADVANTAGES OF THE GATEWAY CONCEPT

1. The Gateway allows the use of a small and robust encoder.
2. Costeffective exchange of encoder (no need to change the Gateway).
3. Reduction of Bus-cabling (only one cable between Gateway and encoder).
4. Flexible choice of encoders as the same Gateway can be used with different encoders.
5. Advanced diagnostics integrated in the basic encoders, together with the sensing parts.
6. Allows operation of encoder in high temperature and hard environmental conditions.

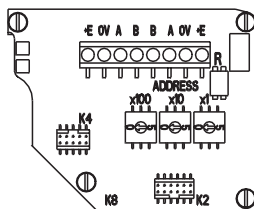
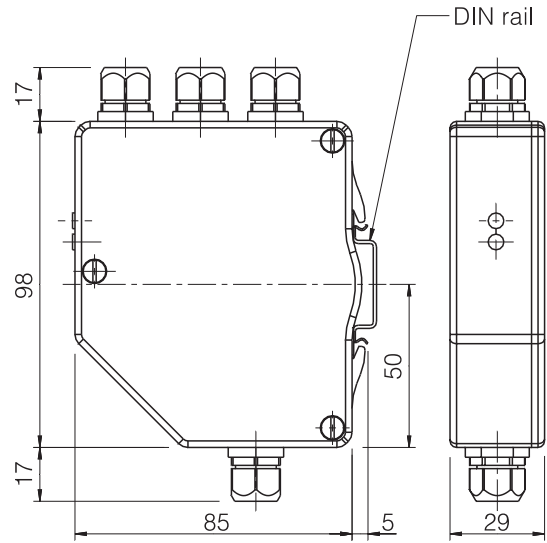
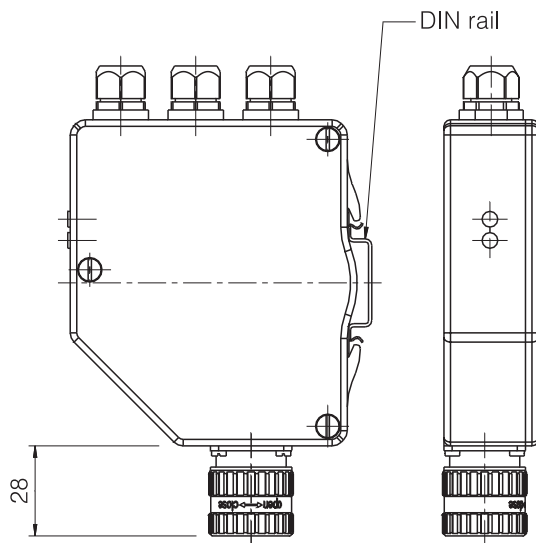
PROFIBUS-DP GATEWAY



CONNECTION

EnDat	17 pin EML	Profibus DP	Terminal
Sensor + 5 Volt	1	+E Volt	1
Sensor 0 Volt	4	0 Volt	2
+ 5 Volt	7	A	3
0 Volt	10	B	4
Clock	8	B	5
Clock	9	A	6
Data	14	0 Volt	7
Data	17	+E Volt	8

Gateway PROFIBUS-DP



MECHANICAL SPECIFICATION

Housing	Aluminium
Weight	Approx. 400g
Protection class	IP 65 according to IEC 60529
Temperature	
Operating	-40°C ... +80°C
Storage	-40°C ... +80°C
LED indication	Power and Bus
Connection	Screw terminal, integrated T coupling

ORDERING INFORMATION

Available models

01300210

Profibus DP compact gateway with connector

01300215

Profibus DP compact gateway with 2m cable and connector

LEINE LINDE ISO 9001 / ISO 14001 certified

Olivehällsvägen 8, SE-64542 Strängnäs, Sweden.
Phone: +46 (0)152 26500. Fax: +46 (0)152 26505. E-mail: info@leinelinde.se

07-11-26 PS. Specifications can be changed without prior notice.

www.leinelinde.com