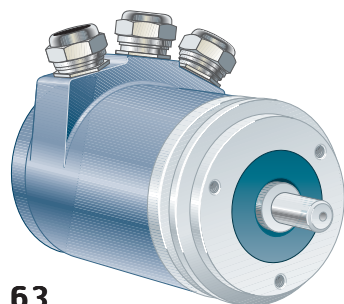
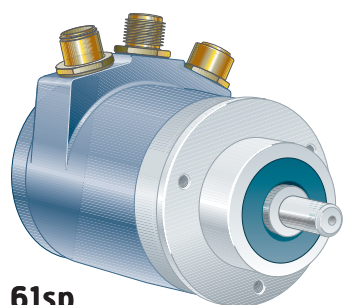


# 607/608 — Ruggedized Shaft encoder, Absolute

PROFIBUS



63



61sp

## Short description:

- >> Profibus output
  - DPV0
  - DPV2
- >> IP 67 at housing, IP 66 at shaft inlet
- >> Support encoder profile 3.062 and 3.162
- >> Robust enclosure for harsh environments
- >> Shock and vibration protected

## Suitable applications:

- >> Automation industry
- >> Packaging machines
- >> Cranes
- >> Elevators

## General information

Encoder data		
Operating temperature	-40°C .. +70°C	
Storage temperature	-30°C .. +70°C	
Ingress protection class	IP-67 according to IEC 60529	
At shaft inlet	IP-66 according to IEC 60529	
Vibration (55 to 2000Hz)	< 100 m/s <sup>2</sup> according to IEC 60068-2-6	
Shock (6ms)	< 1000 m/s <sup>2</sup> according to IEC 60068-2-27	
Cover material	Aluminium	
Weight	Approx. 400g	
Accuracy and resolution		
Encoder type	RSA 607	RSA 608
Total Resolution	13 Bit	25 Bit
Singleturn resolution	13 Bit	13 Bit (8192 absolute positions per revolution)
Multiturn resolution		12 Bit (4096 absolute number of revolutions)
Accuracy	± 1 LSB	

## Flange option

Flange type	63, Synchro	61sp, Clamping
Outer diameter	ø58 mm	ø58 mm
Mounting holes	3 x M4	3 x M4
Flange material	Aluminium	Aluminium

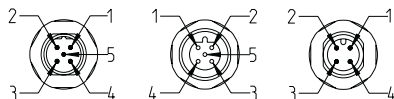
## Shaft option

Shaft type	Ø 6 round	Ø 10 round
Axial shaft load	50 N	50 N
Radial shaft load	60 N	60 N
Mech. permissible speed	6000 rpm	6000 rpm
Shaft material	Stainless steel	Stainless steel
Moment of inertia	1,9 x 10 <sup>-6</sup> kgm <sup>2</sup>	2,0 x 10 <sup>-6</sup> kgm <sup>2</sup>



# 607/608 — Ruggedized Shaft encoder, Absolute

PROFIBUS



## Connection option

Connector type	Terminals Cable gland	5 pin M12 Male B-Coded	5 pin M12 Female B-coded	4 pin M12 Male A-coded
Function	Marking	PIN	PIN	PIN
A <sup>(1)</sup> (Bus in)	A	2	NA	NA
B <sup>(2)</sup> (Bus in)	B	4	NA	NA
A <sup>(1)</sup> (Bus out)	A	NA	2	NA
B <sup>(2)</sup> (Bus out)	B	NA	4	NA
+E Volt	+	NA	NA	1
0 Volt	-	NA	NA	3
Connecting direction				
Radial	Yes	Yes		

<sup>(1)</sup> A terminals are internally connected to each other

<sup>(2)</sup> B terminals are internally connected to each other

NA=Not available

## Electrical option

Power supply	9-36Vdc
Polarity protected	Yes
Output interface	Profibus DP
Interface	RS-485
Supported profile	Profile 3.062 (DPV0) and 3.162 (DPV2)
Baud rate	Max. 12Mbit/s
Node address	Settable via switches, 0...99
Code type	Binary
Supported functions	Class 2 for DPV0 Class 4 for DPV2 Preset, Scaling, Code sequence Isosynchronous mode (DPV2 only) Velocity (DPV0 and DPV2)
Current consumption	95mA @ 24Vdc
Max current consumpt.	150mA @ 24Vdc

## Accessories

Configuration software	
Profibus	Part number
GSD file for DPV0	588934-01
GSD file for DPV2	588958-01
Cables and connectors	
Profibus connection	
Cable M12 5p M-F 5m, B-coded Straight	584387-01
Cable M12 5p M-O 5m, B-coded Straight	584398-01
Cable M12 5p F-O 5m, B-coded Straight	584401-01
Connector M12 5p M, B-coded Straight	586281-01
Connector M12 5p F, B-coded Straight	586287-01
Terminating resistor M12 5p M, B-coded Straight	584217-01
T-junction M12 5p M-M-F, B-coded Straight	629025-01
Supply connection	
Cable M12 4p F-O 5m, A-coded Straight	586238-01
Connector M12 4p F, A-coded Straight	586299-02

For additional accessories like mounting clamps, measuring wheels, draw wire box etc. please advise separate datasheets for accessories.

## Ordering information

RSA 607	
549847-01	RSA 607 61sp ø10 9-36Vdc SPB Cable Radial 13bit
549848-01	RSA 607 61sp ø10 9-36Vdc SPB M12 Radial 13bit
549843-01	RSA 607 63 ø6 9-36Vdc SPB Cable Radial 13bit
549844-01	RSA 607 63 ø6 9-36Vdc SPB M12 Radial 13bit
RSA 608	
549849-01	RSA 608 61sp ø10 9-36Vdc SPB Cable Radial 25bit
549850-01	RSA 608 61sp ø10 9-36Vdc SPB M12 Radial 25bit
549845-01	RSA 608 63 ø6 9-36Vdc SPB Cable Radial 25bit
549846-01	RSA 608 63 ø6 9-36Vdc SPB M12 Radial 25bit
593918-01	RSA 608 63 ø10 9-36Vdc SPB Cable Radial 25bit
605240-01	RSA 608 63 ø10 9-36Vdc SPB M12 Radial 25bit



LEINE LINDE

ISO 9001 / ISO 14001 certified

Olivehällsvägen 8, SE-64542 Strängnäs, Sweden. Phone: +46 (0)152 26500. Fax: +46 (0)152 26505. E-mail: info@leinelinde.se

www.leinelinde.com

# 607/608

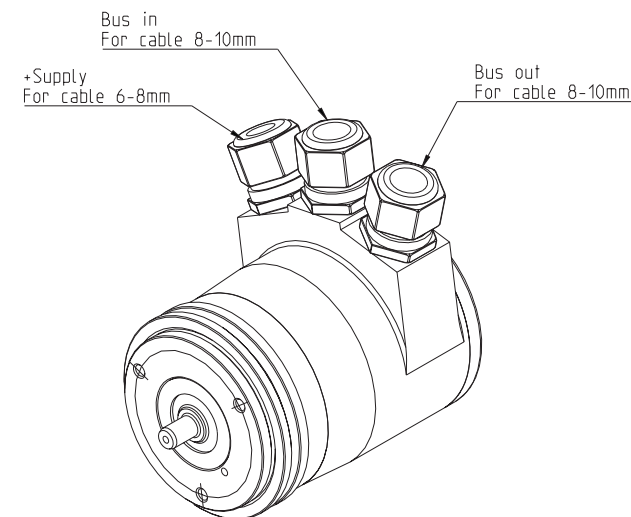
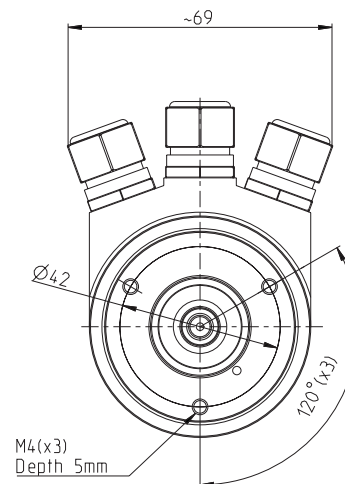
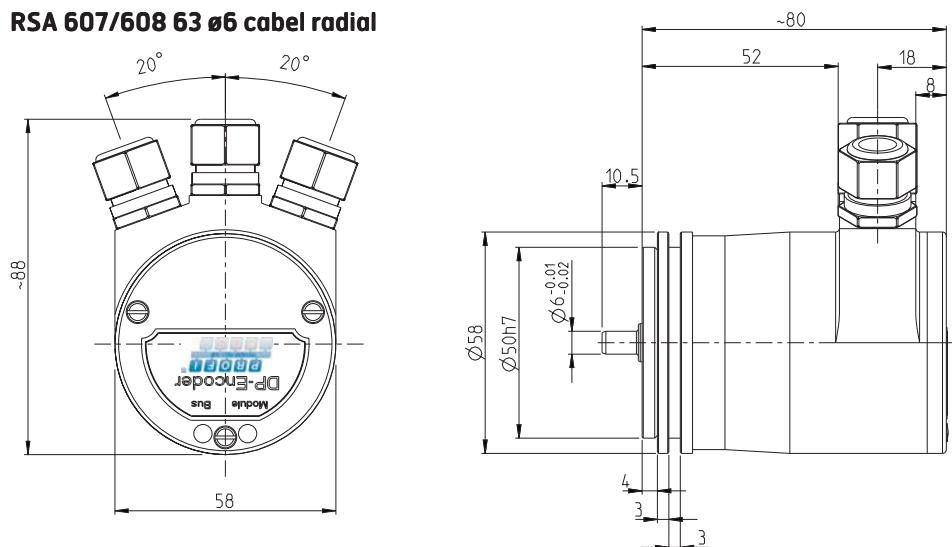
# Ruggedized Shaft encoder, Absolute

PROFIBUS

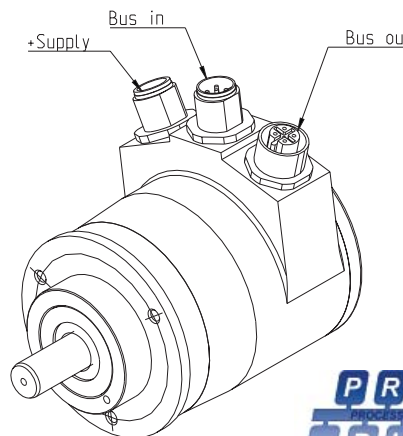
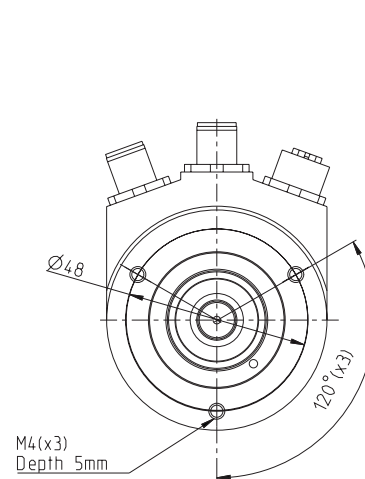
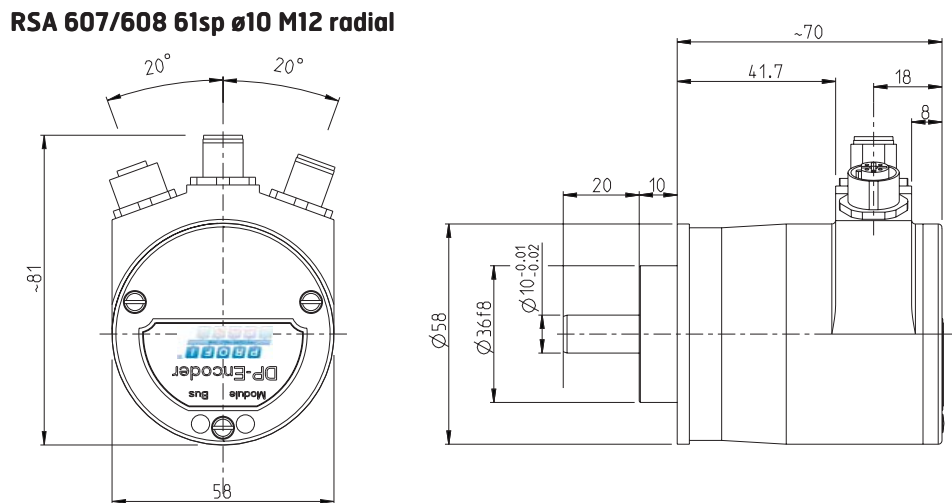


## Dimensions

### RSA 607/608 63 ø6 cabel radial



### RSA 607/608 61sp ø10 M12 radial



# 607/608 — Ruggedized Shaft encoder, Absolute

PROFIBUS



**LEINE LINDE** ISO 9001/ISO 14001 certified

Olivehällsvägen 8, SE-64542 Strängnäs, Sweden. Phone: +46 (0)152 26500. Fax: +46 (0)152 26505. E-mail: info@leinelinde.se



[www.leinelinde.com](http://www.leinelinde.com)