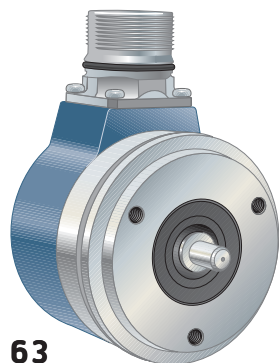
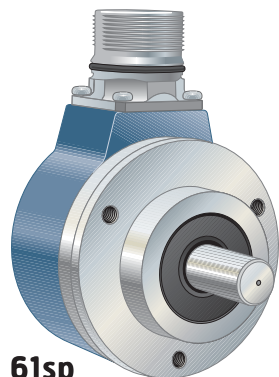


# 607/608 — Ruggedized Shaft encoder, Absolute

SSI, EnDat



63



61sp

## Short description:

- >> 13 or 25 bit resolution
- >> IP 67 at housing, IP 66 at shaft inlet
- >> Robust enclosure for harsh environments
- >> Shock and vibration protected

## Suitable applications:

- >> Standard to demanding industrial applications
- >> Positioning applications
- >> Printing machines
- >> Packaging machines

## General information

Encoder data		
Operating temperature	-40°C .. +85°C (+100°C for EnDat)	
Storage temperature	-30°C .. +85°C	
Ingress protection class	IP-67 according to IEC 60529	
At shaft inlet	IP-66 according to IEC 60529	
Vibration (55 to 2000Hz)	< 300 m/s <sup>2</sup> according to IEC 60068-2-6	
Shock (6ms)	< 1000 m/s <sup>2</sup> according to IEC 60068-2-27	
Cover material	Aluminium	
Weight	Approx. 300g	
Accuracy and resolution		
Encoder type	RSA 607	RSA 608
Total Resolution	13 Bit	25 Bit
Singleturn resolution	13 Bit	13 Bit (8192 absolute positions per revolution)
Multiturn resolution		12 Bit (4096 absolute number of revolutions)
Accuracy	± 1 LSB	

## Flange option

Flange type	63, Synchro	61sp, Clamping
Outer diameter	ø58 mm	ø58 mm
Mounting holes	3 x M4	3 x M4
Flange material	Aluminium	Aluminium

## Shaft option

Shaft type	Ø 6 round	Ø 10 round
Axial shaft load	40 N	40 N
Radial shaft load	60 N	60 N
Mech. permissible speed	6000 rpm	6000 rpm
Shaft material	Stainless steel	Stainless steel
Moment of inertia	1,9 x 10 <sup>-6</sup> kgm <sup>2</sup>	2,0 x 10 <sup>-6</sup> kgm <sup>2</sup>



### Connection option

Encoder type	EnDat (cable)	EnDat (17pEML)	SSI (cable)	SSI (17pEML)
Function	Colour	Marking	Colour	Marking
+E Volt	Brown/Green	7	Brown/Green	7
Sensor +E Volt	Blue	1	Blue	1
0 volt	White/Green	10	White/Green	10
Sensor 0 volt	White	4	White	4
Clock	Violett	8	Violett	8
Clock inverted	Yellow	9	Yellow	9
Data	Grey	14	Grey	14
Data inverted	Pink	17	Pink	17
Code sequence	NA	NA	Black	2
Zero set	NA	NA	Green	5
Connecting direction				
Radial	Yes	Yes	Yes	Yes

NA=Not available

### Electrical option

Output interface	EnDat	SSI
Power supply	5V ±5%	10-30 Vdc
Polarity Protected	No	Yes
Data output	RS-485	
Clock input	RS-485	
Frequency range	Max 2 MHz	100kHz -1MHz
Cable lenght	Max 100m (10m @ 2MHz)	Max 100m
Code type	Binary	Gray
Current consumption	Max 160mA (RSA 607), 200mA (RSA 608)	

### Accessories

Gateway (EnDat encoders)	Part number
Profibus DP	01300210, -215
DeviceNet	01300240, -245
CANopen	01300230, -235
Cables and connectors	
Mating connector (17pEML)	01209085
Mating connector with assembled cable 2m	01210202
Mating connector with assembled cable, free length	01209092
Mounting clamps for 63 synchro flange	00203005
Mounting bracket	00208011

For additional accessories like assembled cables, mounting clamps, measuring wheels, draw wire box etc. please advise separate datasheets for accessories.

### Ordering information

EnDat	
576655-01	RSA 607 63 ø6ro 5Vdc SENB 17 pin EML Radial 13bit
620909-01	RSA 607 63 ø6ro 5Vdc SENB Cable 5m Radial 13bit <sup>(1)</sup>
576669-01	RSA 607 61sp ø10ro 5Vdc SENB 17 pin EML Radial 13bit
620914-01	RSA 607 61sp ø10ro 5Vdc SENB Cable 5m Radial 13bit <sup>(1)</sup>
576218-01	RSA 608 63 ø6ro 5Vdc SENB 17 pin EML Radial 25bit
620916-01	RSA 608 63 ø6ro 5Vdc SENB Cable 5m Radial 25bit <sup>(1)</sup>
576640-01	RSA 608 61sp ø10ro 5Vdc SENB 17 pin EML Radial 25bit
620917-01	RSA 608 61sp ø10ro 5Vdc SENB Cable 5m Radial 25bit <sup>(1)</sup>
SSI	
576665-01	RSA 607 63 ø6ro 10-30Vdc SSG 17 pin EML Radial 13bit
620919-01	RSA 607 63 ø6ro 10-30Vdc SSG Cable 5m Radial 13bit <sup>(1)</sup>
576672-01	RSA 607 61sp ø10ro 10-30Vdc SSG 17 pin EML Radial 13bit
620920-01	RSA 607 61sp ø10ro 10-30Vdc SSG Cable 5m Radial 13bit <sup>(1)</sup>
576457-01	RSA 608 63 ø6ro 10-30Vdc SSG 17 pin EML Radial 25bit
620922-01	RSA 608 63 ø6ro 10-30Vdc SSG Cable 5m Radial 25bit <sup>(1)</sup>
576646-01	RSA 608 61sp ø10ro 10-30Vdc SSG 17 pin EML Radial 25bit
620924-01	RSA 608 61sp ø10ro 10-30Vdc SSG Cable 5m Radial 25bit <sup>(1)</sup>

<sup>(1)</sup> Variants with cable outlet are available upon request

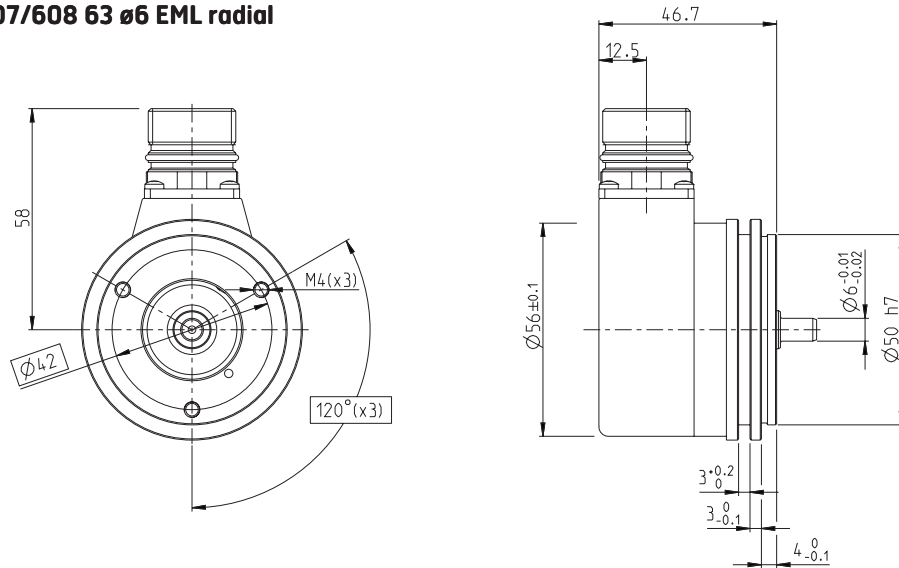
# 607/608 — Ruggedized Shaft encoder, Absolute

SSI, EnDat

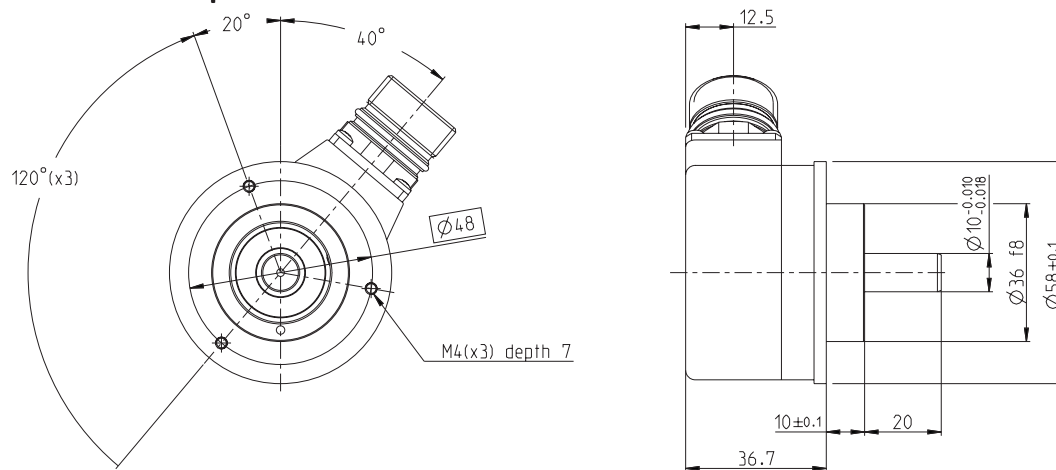


## Dimensions

### RSA 607/608 63 $\phi 6$ EML radial



### RSA 607/608 61sp $\phi 10$ EML radial



# 607/608 — Ruggedized Shaft encoder, Absolute

SSI, EnDat

